

GLOBAL ESCALATOR GE-3200



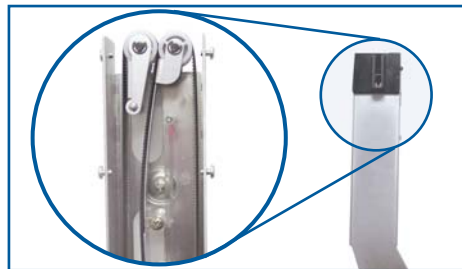
HIMECS GLOBAL ESCALATOR Model GE-3200 is the world's first fully non-coin specific coin escalator hopper. Using the same patent-pending **ADM** (Advanced Coin-Drum Mechanism) Technology as the GLOBAL HOPPER Model GH-3200, it can dispense coins of different denominations without the need to change any components. With this revolutionary breakthrough in coin escalator technology, troublesome adjustments to the escalator to change the value of your coin payout applications are a thing of the past.

KEY FEATURES



ADM Technology

The GE-3200 uses HIMECS' patent-pending **ADM** Technology that enables the hopper escalator to dispense coins of different size, thickness and shapes. This unique mechanism ensures a smooth, jam-free coin payout experience.



No more shingling and coin damage

The state-of-art belt mechanism prevents the common 'Shingling' problems experienced by other escalators and also prevents coin/token damages.



Easy maintenance

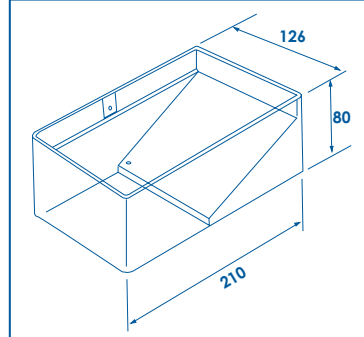
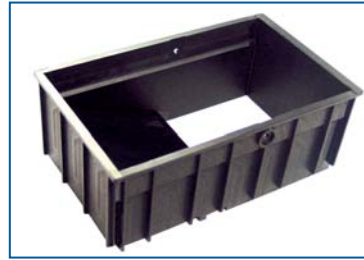
The entire GE-3200 is modularly constructed with minimal components. Routine maintenance can be easily conducted with the innovative One-Touch feature that allows the escalator to be easily disassembled.

TECHNICAL SPECIFICATIONS

Dimensions	
Height	618.0mm
Width	127.0mm
Depth	339.0mm
Weight	
Standard	5.0kg
Applicable Coin Dimensions	
Diameter	19.0mm to 32.0mm
Thickness	1.3mm to 3.2mm
Coin Capacity	
Standard	800 coins
Coin Payout Speed	
Standard	300 coins/min
Electrical Interface	
Voltage	DC24V
Amperage	1.0A (2.5A Max)

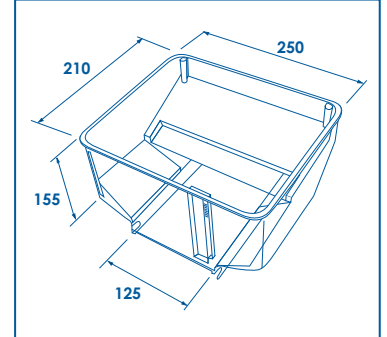
* Specifications are subjected to changes without notice

OPTIONAL PARTS



Medium Extension Coin Tank

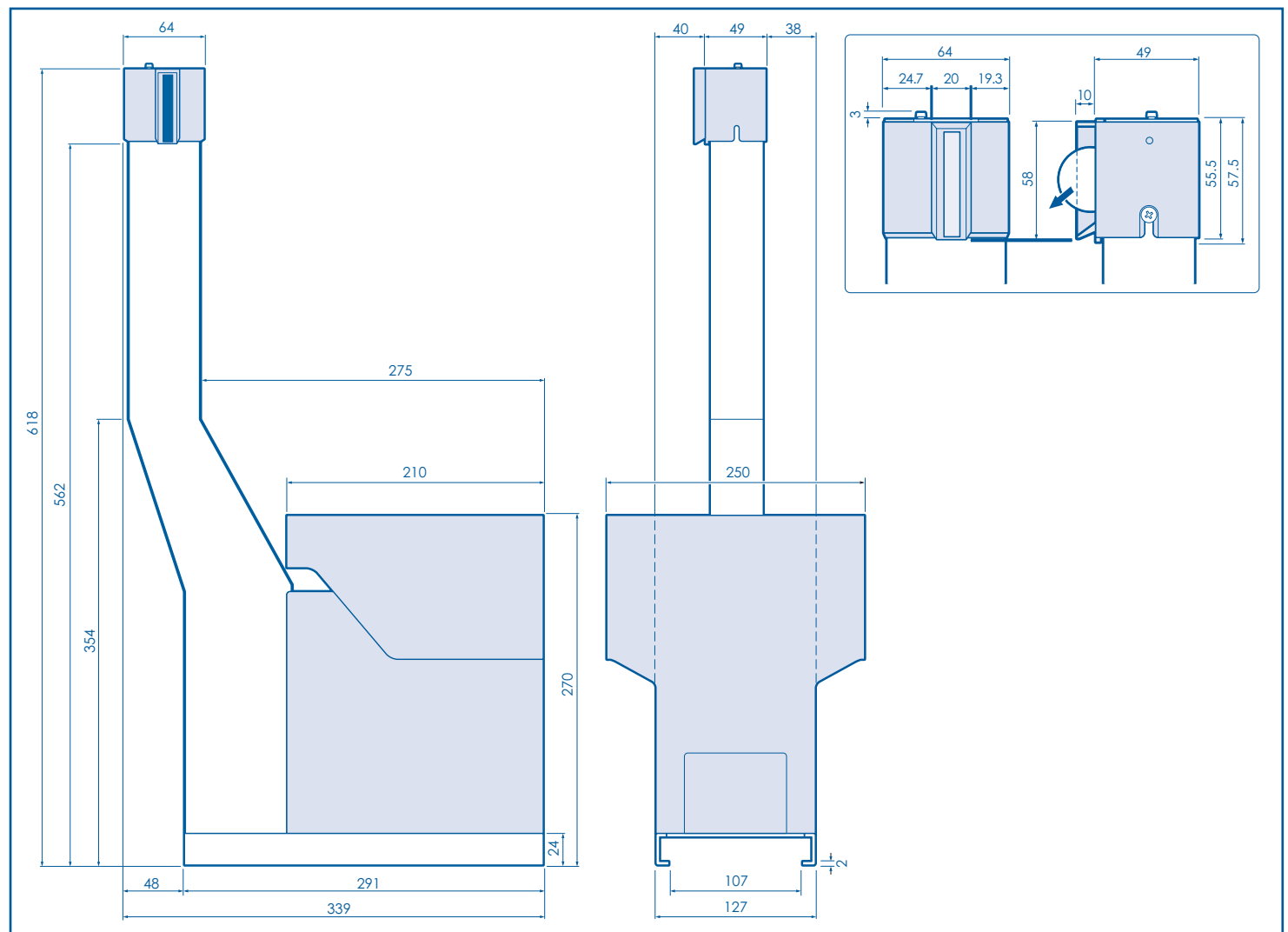
This snap-on medium extension coin tank will enable the GE-3200 Escalator Hopper to hold up to 1700 coins (25mm diameter).



Large Extension Coin Tank

The large extension coin tank will enable the GE-3200 to hold up to 2500 coins (25mm diameter).

TECHNICAL DIMENSIONS



TOKYO EXPORT OFFICE

1209 Daiwa Jisho Bldg., 74-1, Yamashita-cho, Naka-ku, Yokohama 231-0023 JAPAN.
Tel : +81-4-5680-0605 Fax : +81-4-5212-9987 Email : trade@himecs.co.jp