

# GLOBAL HOPPER GH-3200



## HIMECS Global Hopper GH-3200 - The Solution to all Coin Payout Applications

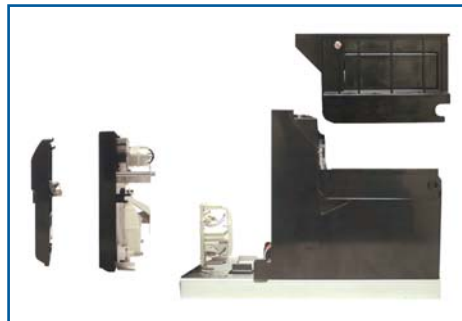
The HIMECS GH-3200 is the world's first fully non-coin specific coin hopper that has advanced security features built-in. Using HIMECS' patent-pending **ADM** (Advanced Coin-Drum Mechanism) Technology, the Global Hopper GH-3200 is able to dispense coins of different denominations without the need to change components and even works perfectly with irregular shaped coins.

### KEY FEATURES



#### **ADM Technology**

The Global Hopper GH-3200 uses the patent-pending **ADM** Technology for dispensing coins of different denominations without the need to change any components of the hopper. Years of field tests on **ADM** Technology have proven its reliability in coin payout applications.



#### **Innovative Design**

Simple modular construction allows disassembling of hopper unit on-site for routine maintenance. This ability translates to lengthened product lifespan and reduction in operation down-time.



#### **Advanced Security Features**

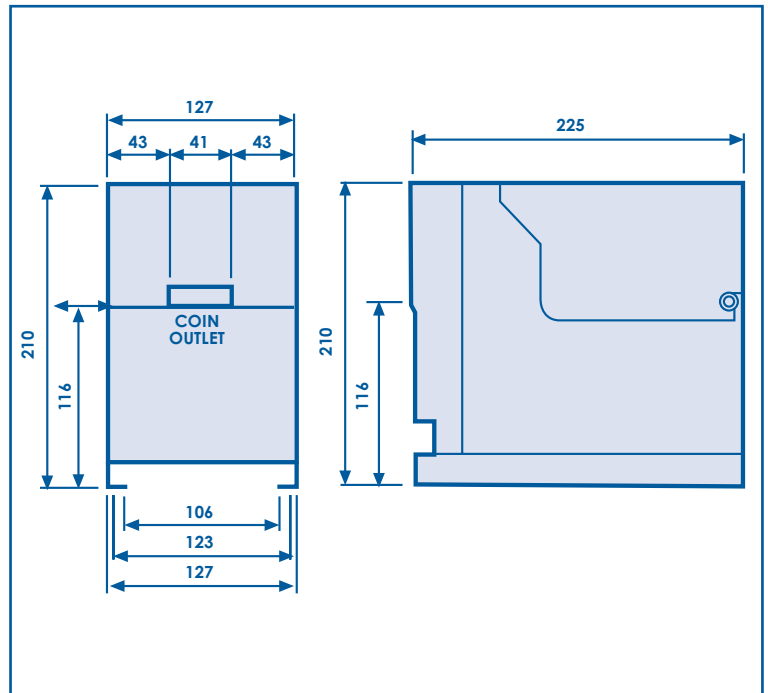
The GH-3200 is the world's only hopper with Fraud Prevention Mechanism! The hopper is able to prevent multiple coins from being dispensed when the coin outlet is being blocked and can even prevent coin theft resulting from abuse of photo sensors at the coin exit.

## TECHNICAL SPECIFICATIONS

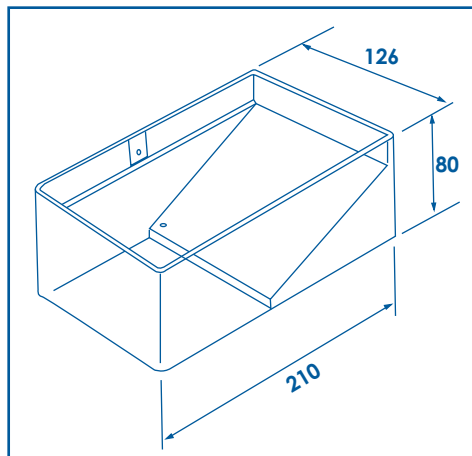
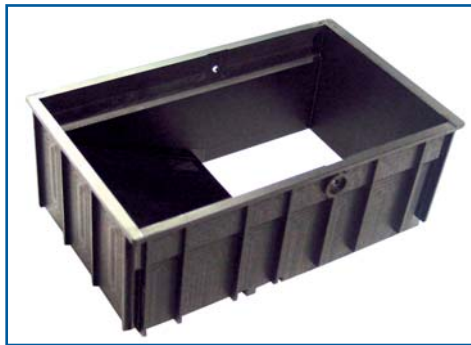
Dimensions	
Height	210.0mm
Width	127.0mm
Depth	225.0mm
Weight	
Standard	1.6kg
Applicable Coin Dimensions	
Diameter	19.0mm to 32.0mm
Thickness	1.3mm to 3.2mm
Coin Capacity	
Standard	800 coins
Coin Payout Speed	
Standard	300 coins/min
Electrical Interface	
Voltage	DC24V
Amperage	0.3A (2.0A Max)

\* Specifications are subjected to changes without notice

## TECHNICAL DIMENSIONS

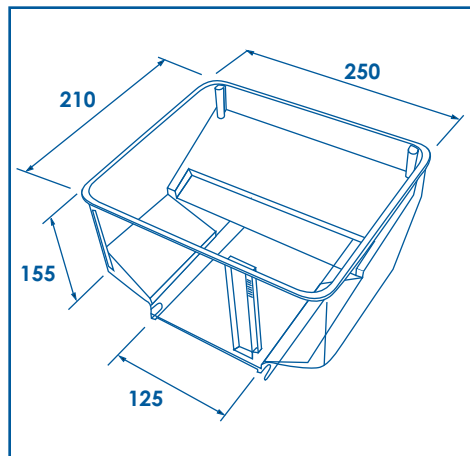


## Optional Parts



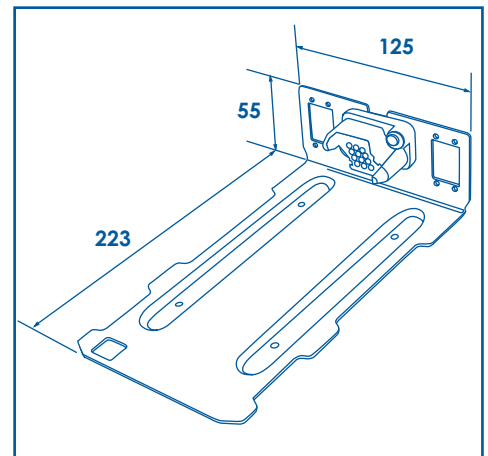
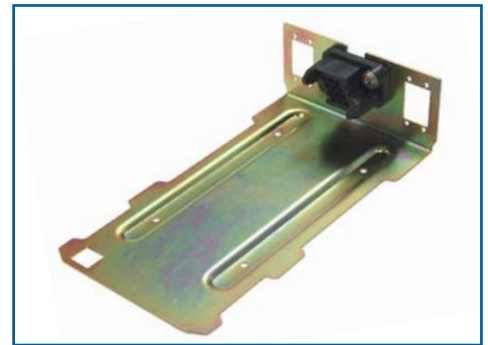
### Medium Extension Coin Tank

This snap-on medium extension coin tank will enable the GH-3200 Global Hopper to hold up to 1700 coins (25mm diameter).



### Large Extension Coin Tank

The large extension coin tank will enable the GH-3200 to hold up to 2500 coins (25mm diameter).



### Slide-in Base Plate with Optional Adaptor

The slide-in Base Plate is used to mount the GH-3200 to the cabinet to allow easy mounting and dismantling of the hopper. With an optional adaptor, the outer dimensions of the GH-3200 will be transformed to similar dimensions of popular models in the market for easy replacement.

## TOKYO EXPORT OFFICE

1209 Daiwa Jisho Bldg., 74-1, Yamashita-cho, Naka-ku, Yokohama 231-0023 JAPAN.  
Tel : +81-4-5680-0605 Fax : +81-4-5212-9987 Email : trade@himecs.co.jp