

# MODEL 85A MINI-HOPPER



## MODEL 85A MINI-HOPPER

For flexibility, versatility and reliability.

### More Flexibility for More Applications

Designed to meet the demands of various applications today, the Model 85A Mini-Hopper can meet the requirements of all markets such as gaming, change, parking, ticketing and vending. It accepts a wider range of coins, from 14mm to 29mm in diameter. With the versatile conversion kit, change of coin denomination can be accomplished within a few seconds, saving you time and money!

### Unique Jam-Free Construction

Like all other Himecs coin hoppers, the Model 85A is modularly constructed with minimum components, eliminating problems such as coin jams.

### High Capacity and High Speed Payout

The Model 85A standard coin tank holds 600 coins (25mm in diameter) and payouts a whopping 400 coins per minute. Capacity can be easily increased to 1000 coins by adding the optional extension coin tank.

### Durable and Lightweight

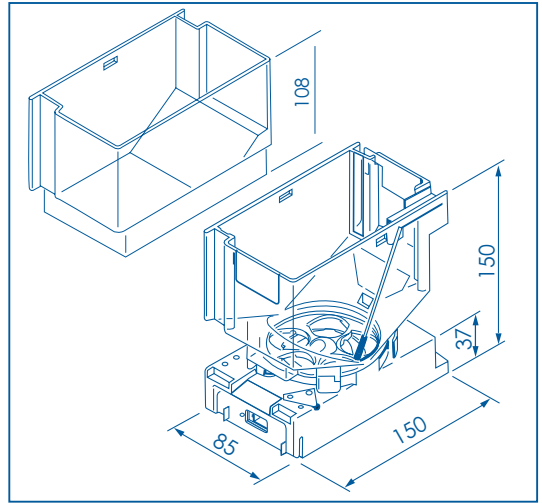
All Himecs' coin hoppers are made with high-strength, wear-resistant materials. The robustness ensures that each Himecs coin hopper lasts longer, giving you more value for money. Weighing only 0.57kg, the hopper has an amazing capacity of 600 coins.

## TECHNICAL SPECIFICATIONS

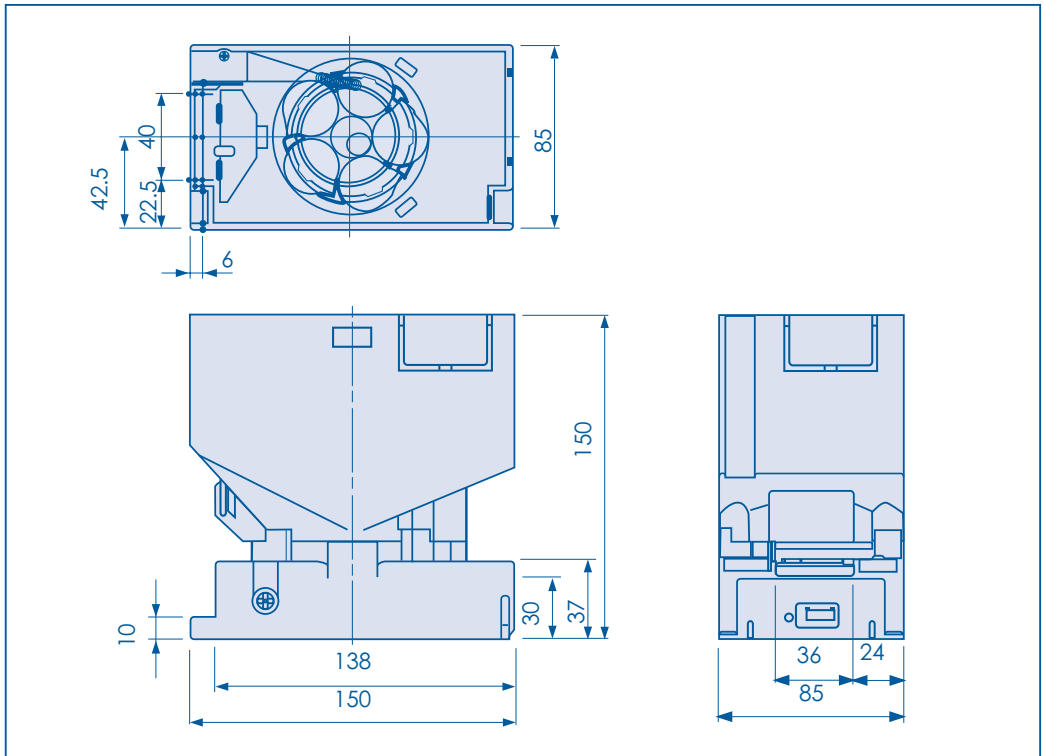
Dimensions	
Height	150mm
Width	85mm
Depth	150mm
Weight	
Standard	0.57kg
Applicable Coin Dimensions	
Diameter	14mm to 29mm
Thickness	1.3mm to 3.2mm
Coin Capacity	
Standard	600 coins
With Extension Tank	1000 coins
Coin Payout Speed	
Standard	400 coins/min
Electrical Interface	
Voltage	DC24V
Amperage	500mA

\* Specifications are subjected to changes without notice

## EXTERNAL VIEW OF MODEL 85A MINI-HOPPER AND EXTENSION COIN TANK



## TECHNICAL DIMENSIONS



### TOKYO EXPORT OFFICE

1209 Daiwa Jisho Bldg., 74-1, Yamashita-cho, Naka-ku, Yokohama 231-0023 JAPAN.  
Tel : +81-4-5680-0605 Fax : +81-4-5212-9987 Email : trade@himecs.co.jp